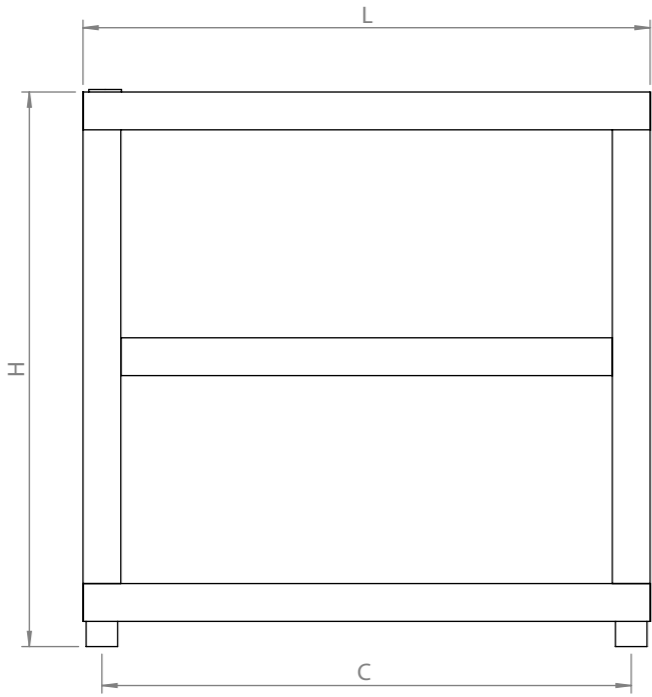
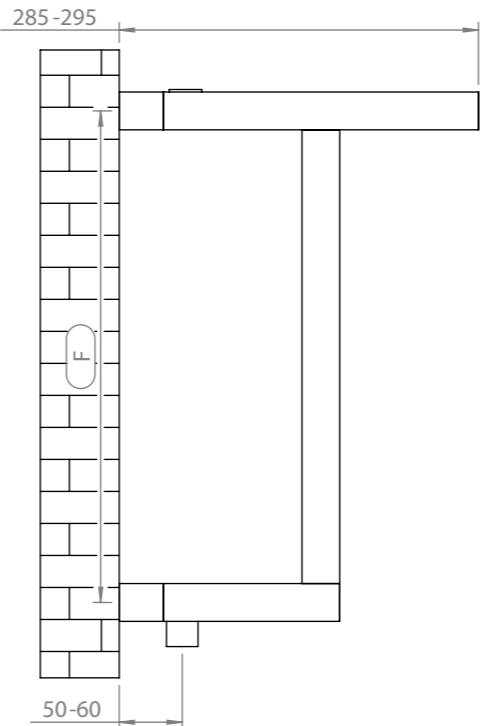


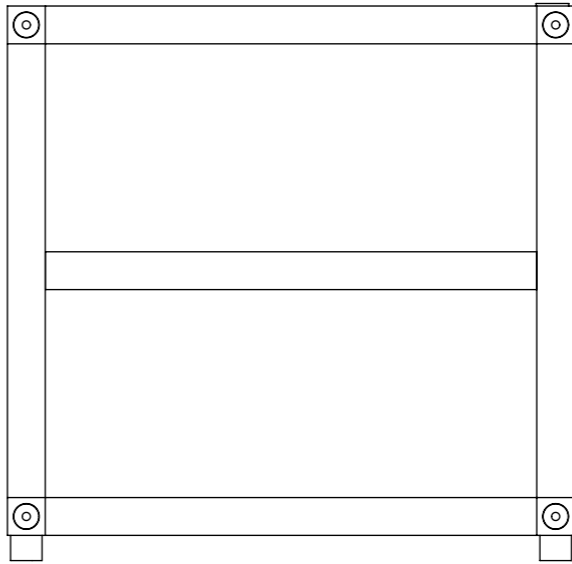
SECO



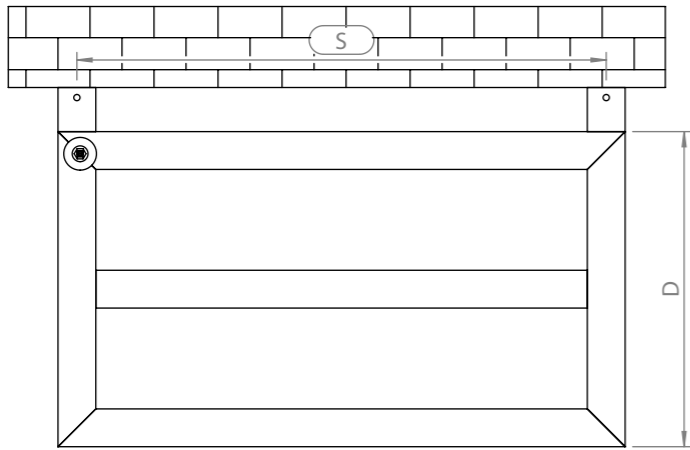
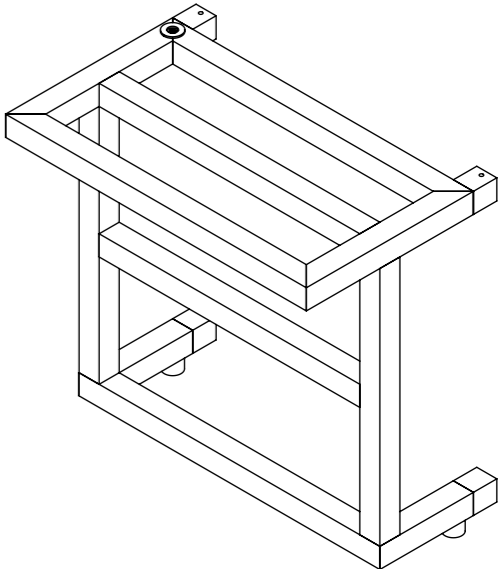
Front View



Side View

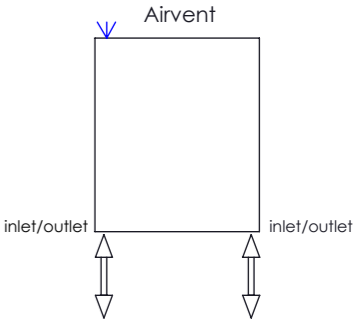


Back View



Top View







Plumbing Position:

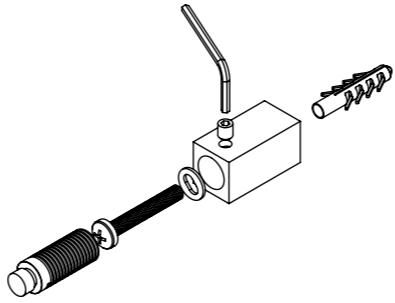


Vertical mount
 All Dimensions are in mm
 Max.Working Pressure: 10 Bar
 Max.Working Temperature: 95° C
 Inlet / Outlet : 1/2" BSP
 Fuel : E/H/D

Manufacturing Tolerance : - 5 mm

Installation Accessories:

-  x4
-  x4
-  x4
-  x4
-  x4
-  x1



Height	Length	Depth	Pipe Centres	Bracket Centres	
H	L	D	C	F	S
mm	mm	mm	mm	mm	mm
440	450	250	420	390	420