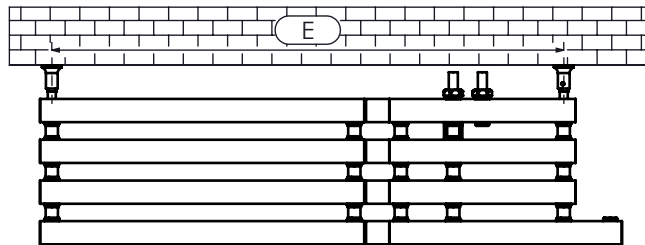
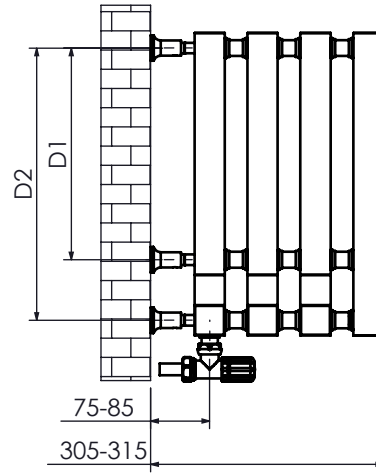
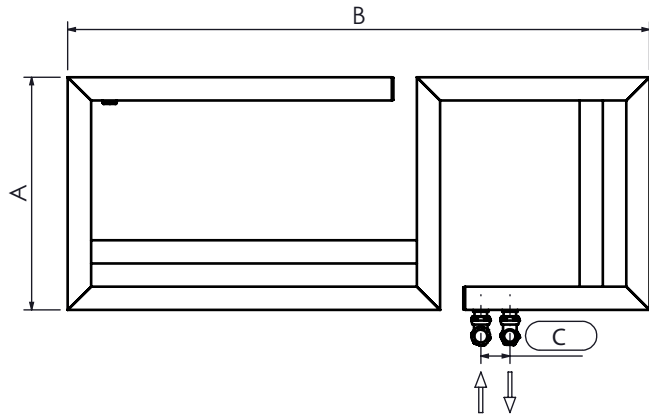
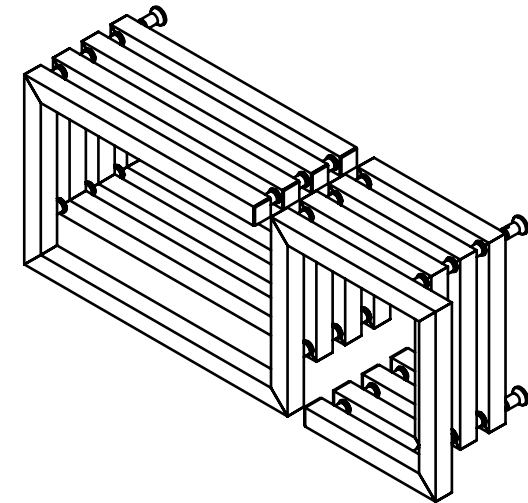


DONNA



A	B	C	D1-D2	E	HEAT OUTPUTS	HEAT OUTPUTS
HEIGHT	LENGTH	PIPE CENTER	VERTICAL BRACKET CENTERS	HORIZONTAL BRACKET CENTERS	(BTU)	(WATT)
mm	mm	mm	mm	mm	Delta T:50 °C	Delta T:50 °C
400	1000	50	280-360	880	3093	907
500	1350	50	380-460	1230	3819	1120



Bracket Assembly

