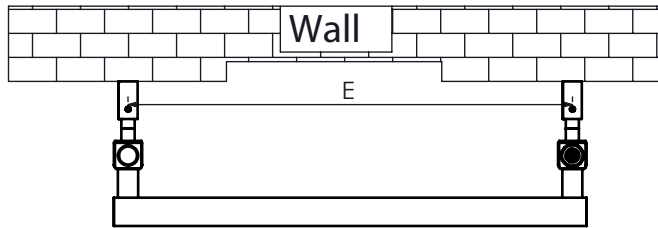
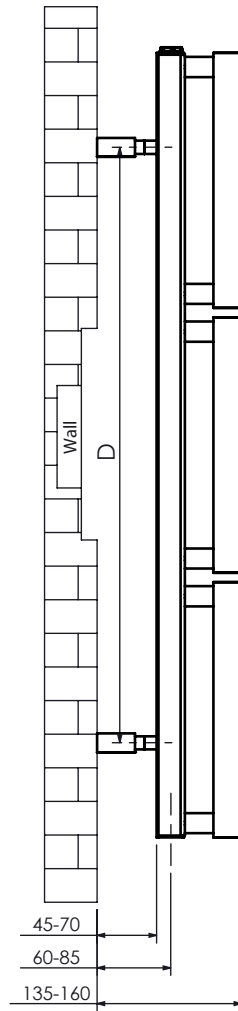
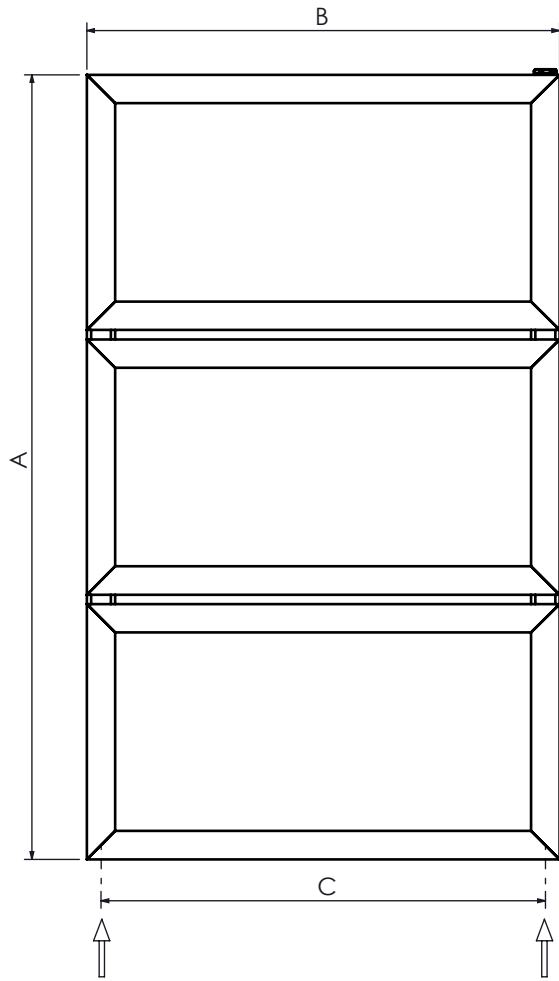
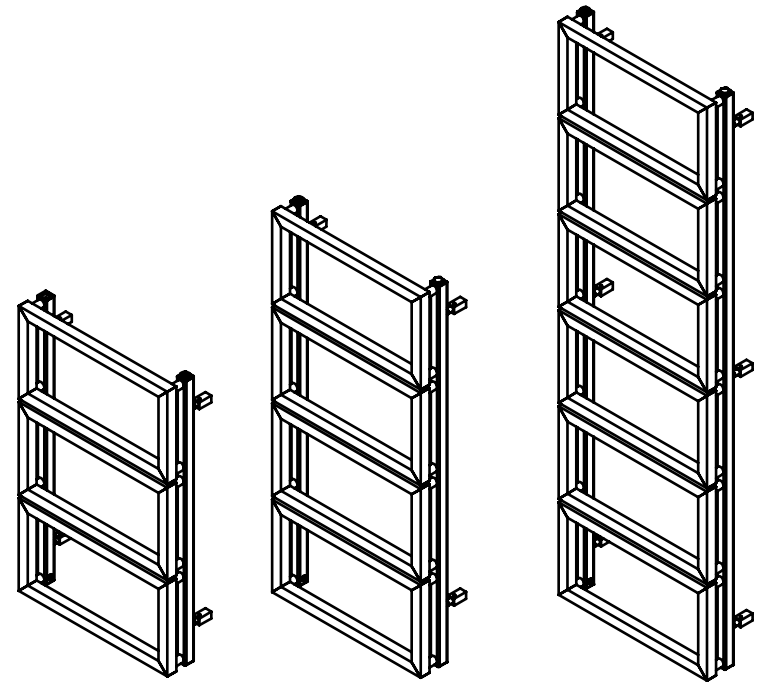


# VITA



A HEIGHT mm	B LENGTH mm	C PIPE CENTER mm	D VERTICAL BRACKET CENTERS mm	E HORIZONTAL BRACKET CENTERS mm	HEAT OUTPUTS (BTU) Delta T:50 °C	HEAT OUTPUTS (WATT) Delta T:50 °C
830	500	470	630	470	1527	447
1110	500	470	850	470	2012	589
1670	500	470	730-730	470	3019	884



Bracket Assembly

