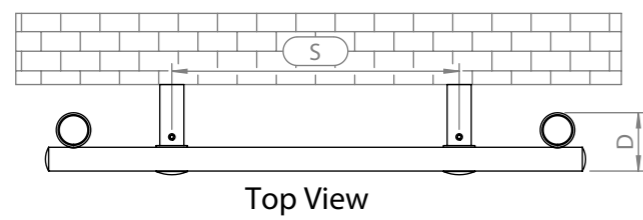
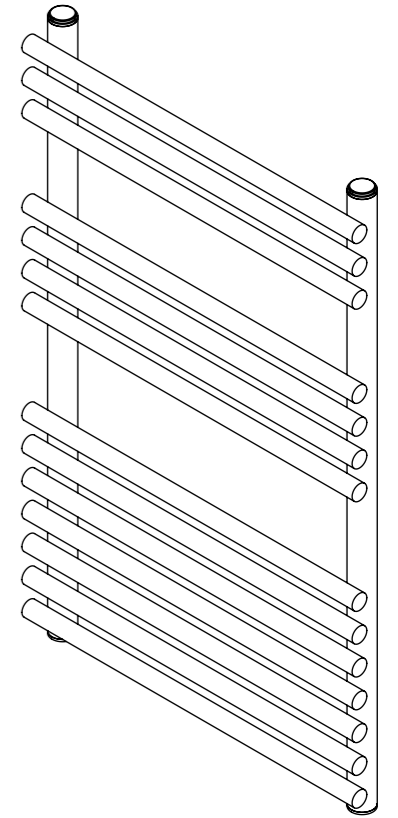
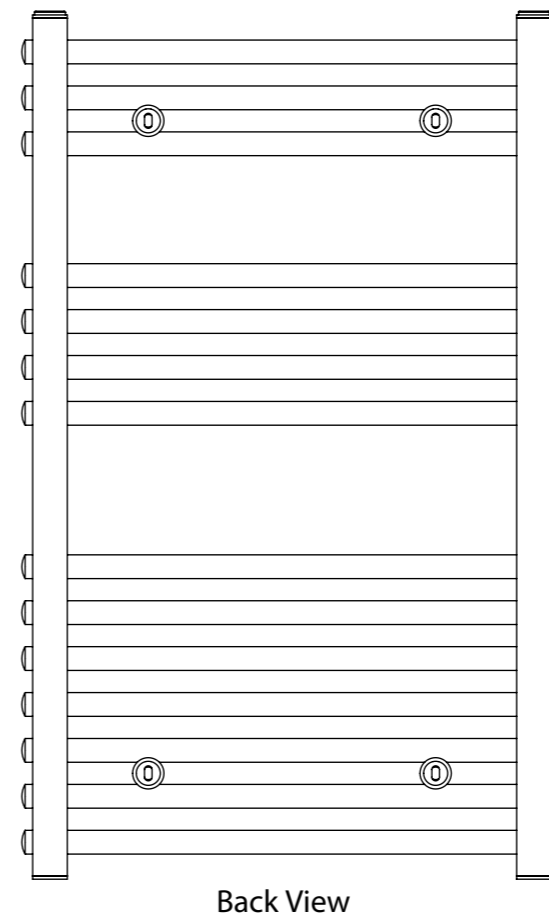
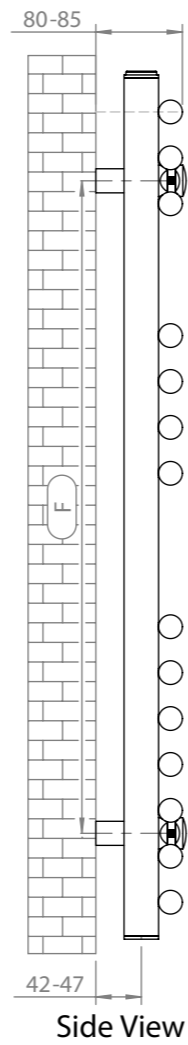
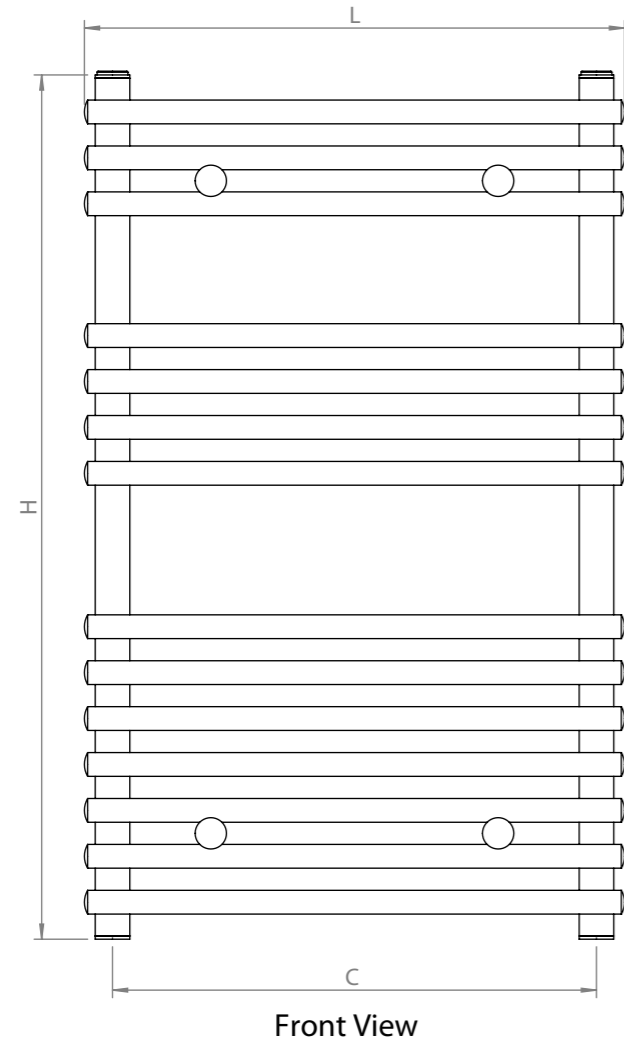
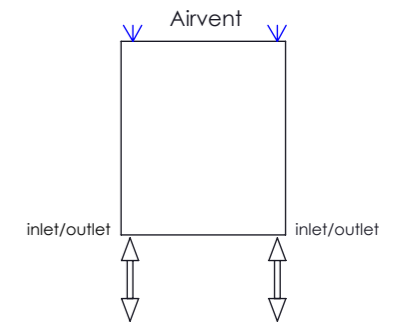


NOMI



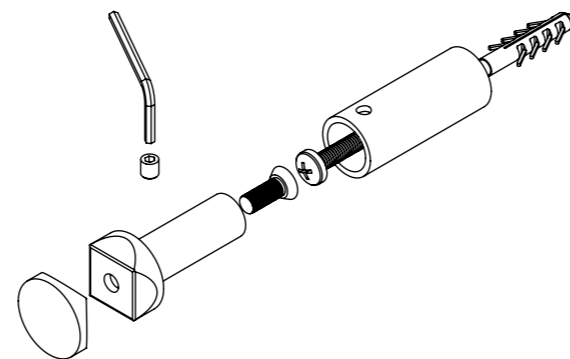
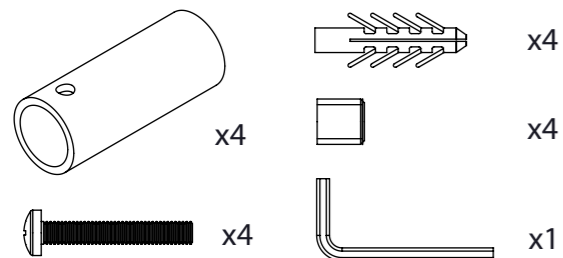
Plumbing Position:



Vertical mount
 All Dimensions are in mm
 Max. Working Pressure: 10 Bar
 Max. Working Temperature: 95° C
 Inlet / Outlet : 1/2" BSP
 Fuel : E/H/D

Manufacturing Tolerance : - 5 mm

Installation Accessories:



Height	Length	Depth	Pipe Centres	Bracket Centres	
H	L	D	C	F	S
mm	mm	mm	mm	mm	mm
798	500	57	448	600	266
1150	500	57	448	952	266
1612	500	57	448	1419	266