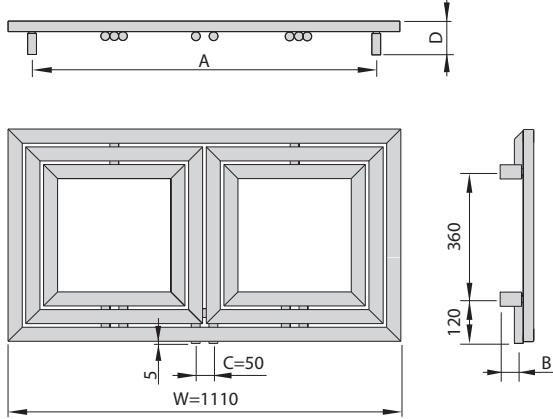
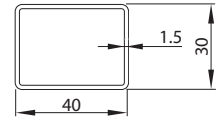


Width [mm]	Height [mm]	Depth from wall [mm]	Connections spacing intervals [mm]	Connections distance from the wall [mm]	Brackets spacing intervals [mm]	Heating surface [m ²]	Weight [kg]	Capacity [dm ³]	Power (75/65/20 °C) [W]	Power (75/65/24 °C) [W]	Power (55/45/24 °C) [W]	Electric heater maximal power [W]
W	H	D	C	B	A							
600	600	90-95	50	45-50	560	0,75	9,2	5,5	428	386	189	-
600	1110	90-95	50	45-50	560	1,34	16,1	9,8	694	625	306	-
600	1620	90-95	50	45-50	560	1,78	21,3	13,1	909	818	399	-
1110	600	90-95	50	45-50	970	1,35	17,0	9,9	731	658	322	-
1620	600	90-95	50	45-50	1480	1,80	24,2	13,2	1037	933	454	-

L-1106



Circuit profile:



Finishing and warranty:

- phosphatizing + electrophoresis + polyester-epoxy lacquery; 10 year warranty;

Mounting brackets:

brackets in the same colour as the radiator are included

Heater:

-

Working pressure:

10 bars

Maximal temperature:

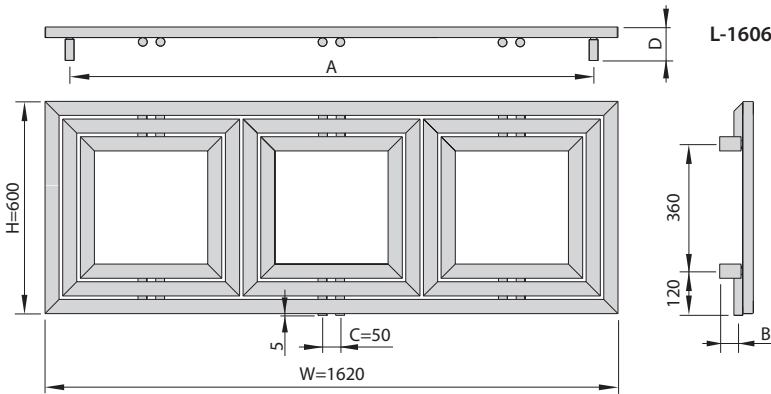
95 °C

Connections:

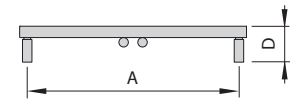


inner threads G 1/2
air-vent plug G1/8
hidden behind

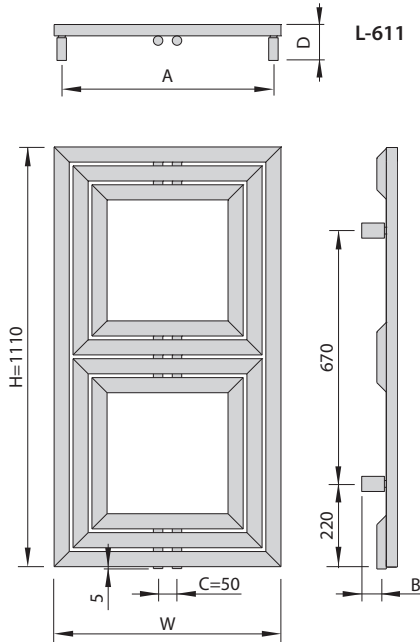
L-1606



L-616



L-611



L-606

