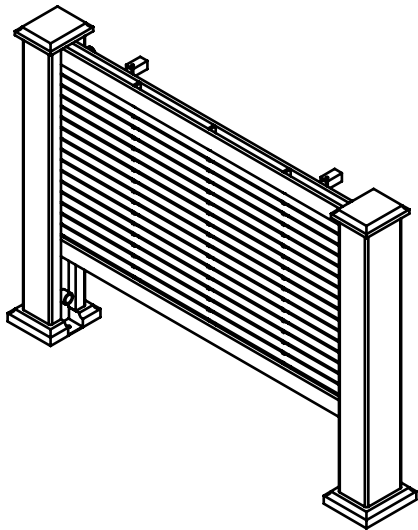
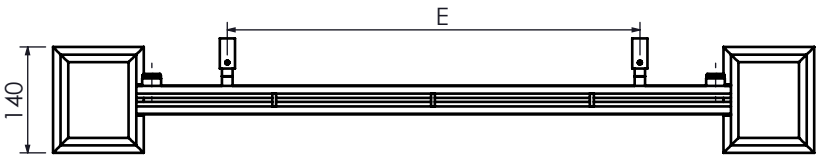
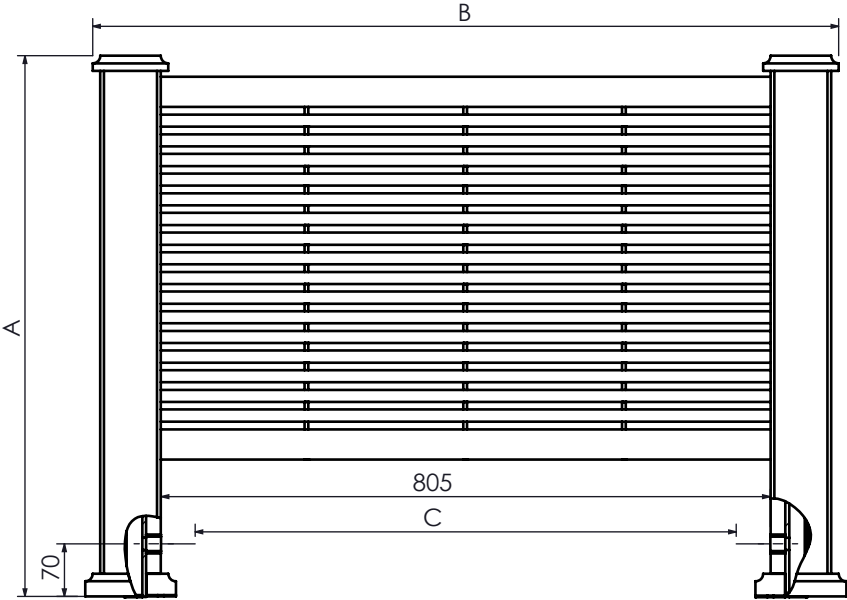


NESSA



A	B	C	D	E	HEAT OUTPUTS (BTU)	HEAT OUTPUTS (WATT)
HEIGHT	LENGTH	PIPE CENTER	VERTICAL BRACKET CENTERS	HORIZONTAL BRACKET CENTERS	Delta T:50 °C	Delta T:50 °C
mm	mm	mm	mm	mm		
700	945	715	667	545	5533	1620
700	1090	860	667	690	6640	1944
700	1590	1360	667	1190	8115	2376
700	1800	1570	667	1400	8853	2592
700	2090	1860	667	1690	9960	2916

Bracket Assembly

