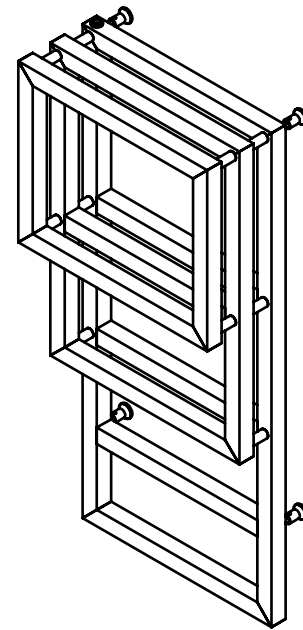


ELIAN

A	B	C	D	E	HEAT OUTPUTS (BTU)	HEAT OUTPUTS (WATT)
HEIGHT mm	LENGTH mm	PIPE CENTER mm	VERTICAL BRACKET CENTERS mm	HORIZONTAL BRACKET CENTERS mm	Delta T:50 °C	Delta T:50 °C
1200	530	490	960	490	2148	630



Bracket Assembly

